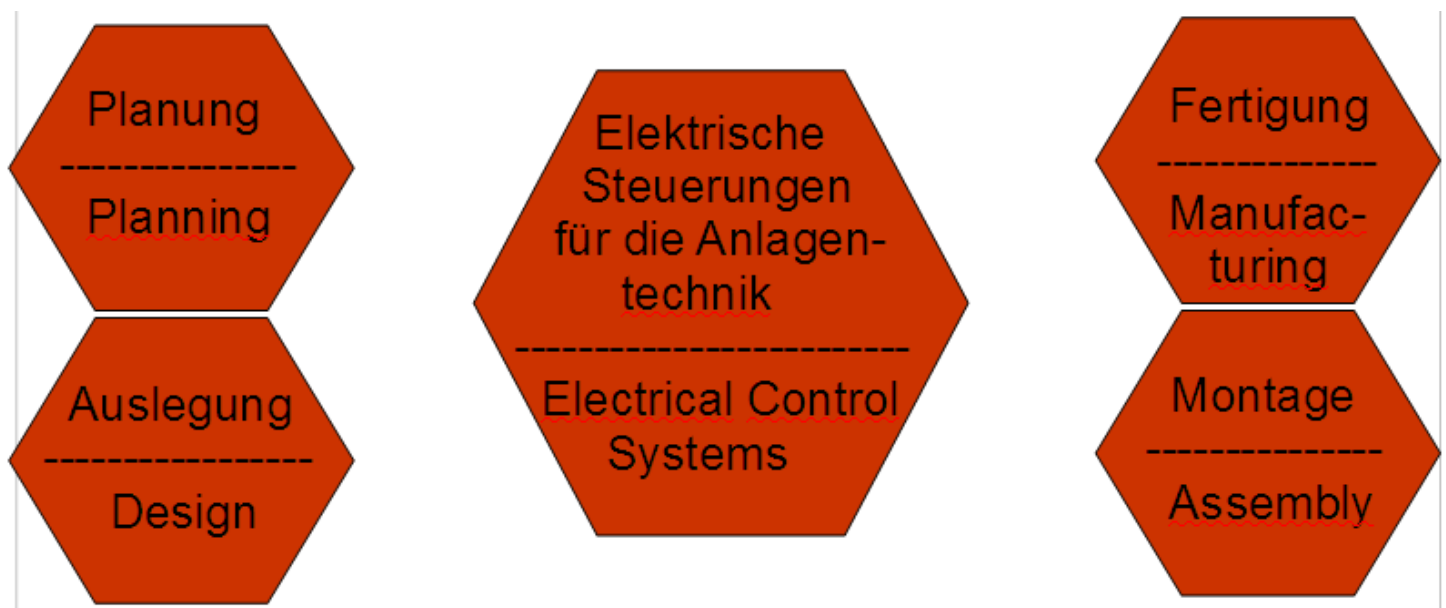


Anlagenbau
Fördern - Dosieren - Verwiegen - Mischen - Austragen
Elektrotechnik - EMSR-Technik - Planung - Durchführung
Montage - Inbetriebnahme - Service

Plant Engineering
Conveying - Dosing - Weighing - Mixing - Discharging
Electrical Engineering - PLC Systems - Planning
Realisation - Assembly - Startup - Service

8.2



SCREW CONVEYORS

Screw conveyors are designed for dust-free transport of granular and floury bulk materials.

Application examples for the use of screw conveyors are e.g. emptying, dosing, screening, loading and mixing of the goods.

We manufacture tubular and trough screw conveyors according to customer requirements in common housing shapes. For example, trough screws are one-piece with U-trough or double-walled with U-trough for heat exchange. Tubular screws are also possible in one piece or with split tube and inserted wear plate.

Furthermore, we manufacture special designs in the field of abrasive products, for dewatering, cooling, etc.

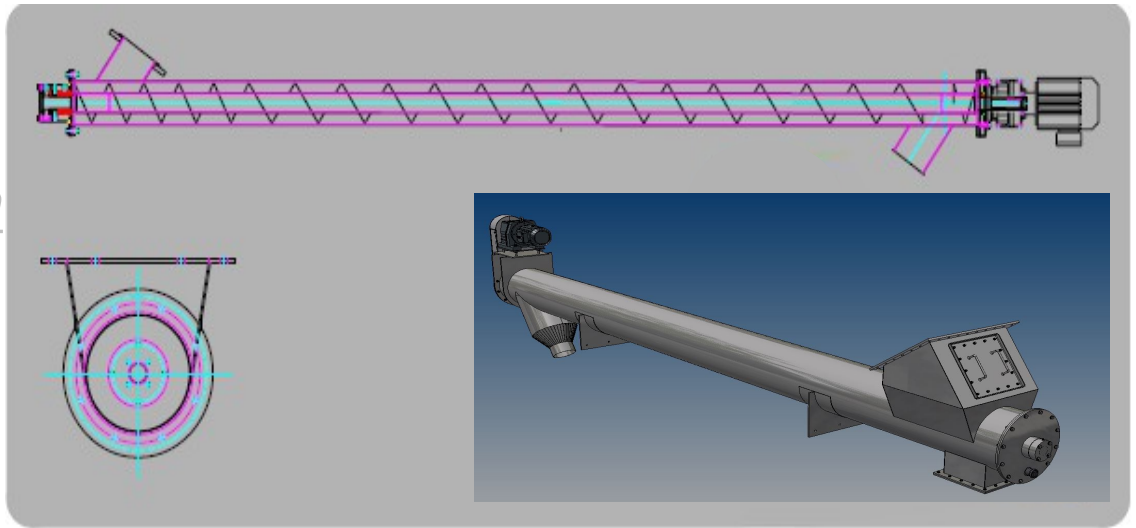
Depending on the application, we differentiate the screw threads into band threads, full threads with cutouts, paddle threads, double threads, pallet threads, external and internal conical threads, threads with stepped pitch, threads with stepped diameter and special solutions for mixing technology.

Technical data for the screw conveyance – standard values

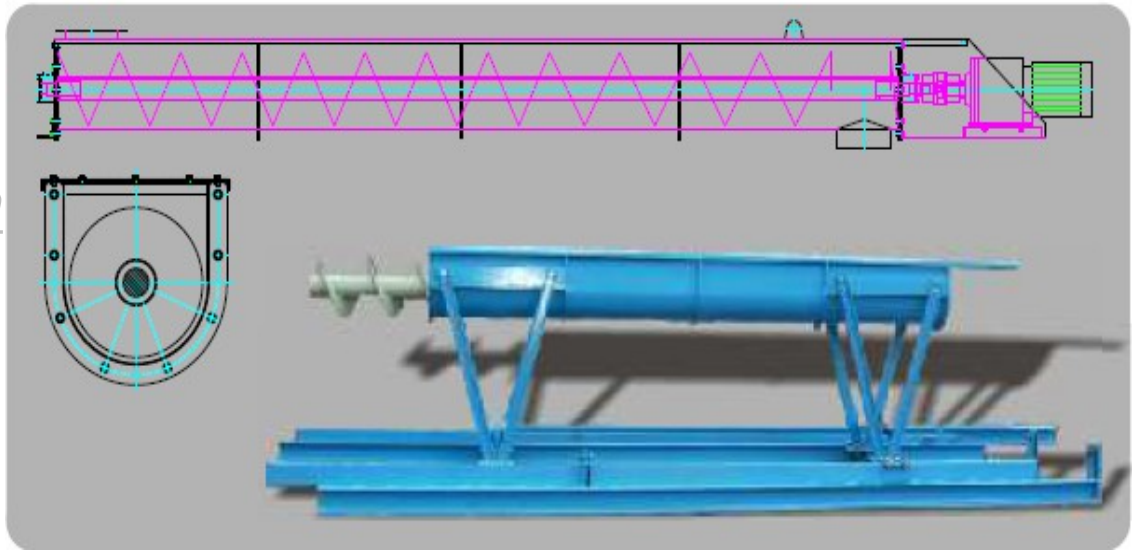
Screw diam.	100	125	150	200	250	300	400	500	630	800	1000
pitch	100	125	150	200	250	300	355	400	450	500	560
revolutions per minute	125	125	90	80	75	63	55	50	40	32	25
output in m ³ /h	3,5	6	7	12	17	29	38	59	84	110	130

Subject to technical modification

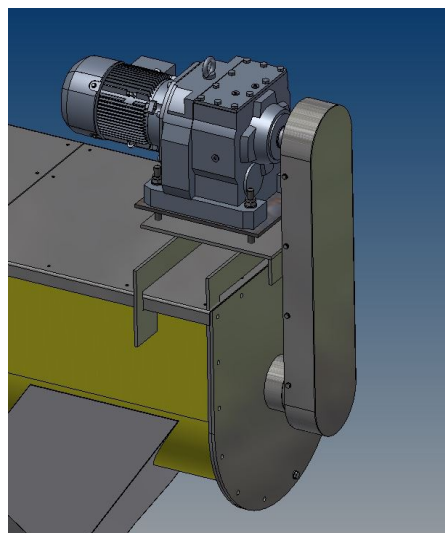
Construction of a tubular screw



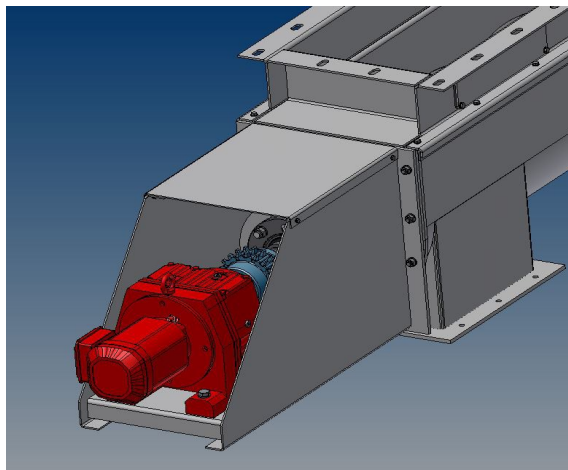
Construction of a trough screw



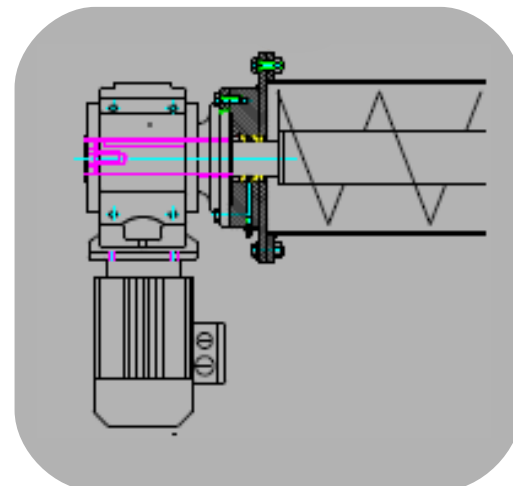
chain drive



coupling drive

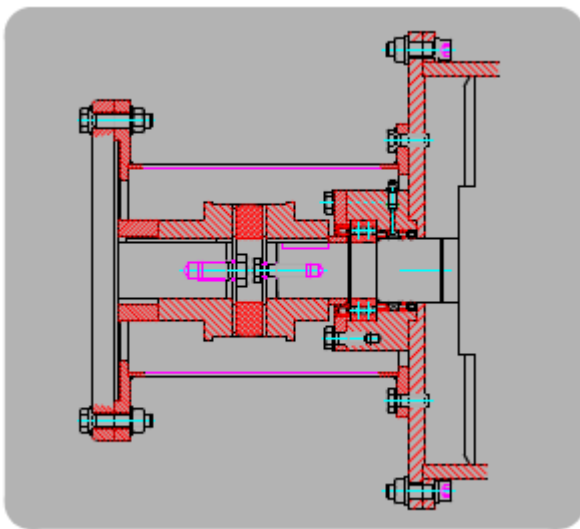
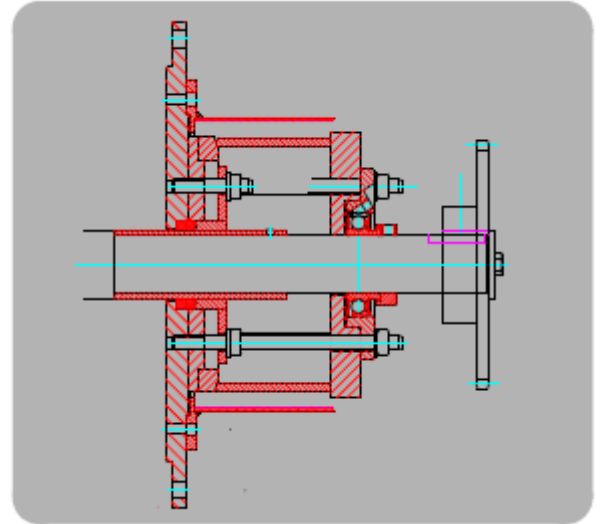


angular gear drive



Structure of the bearing with a gland sealing

Structure of the bearing with a shaft seal



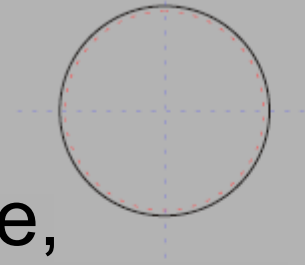
Through optimal, customer-oriented Design we achieve a very good quality and a very favorable price with a reliable design of the screw conveyors.

The type of design, whether in trough or tube design, thick- or thin-walled, with or without center bearing and the required quality is determined by our technicians together with the customer.

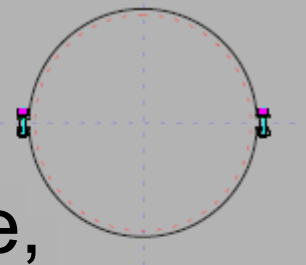
In case of need, our specialized engineers with experience in industrial facilities will be at your disposal.

Housing shapes for tubular screws

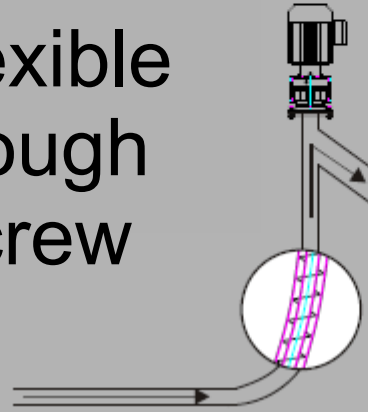
tube,
closed



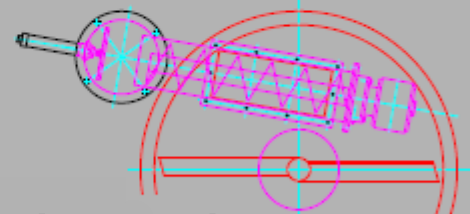
tube,
divided



flexible
trough
screw



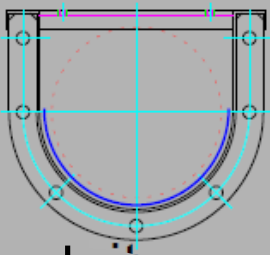
through screw
with quick lock



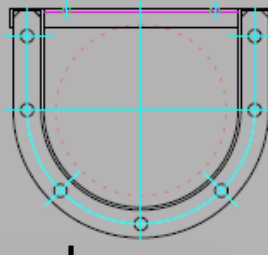
Housing shapes for trough screws



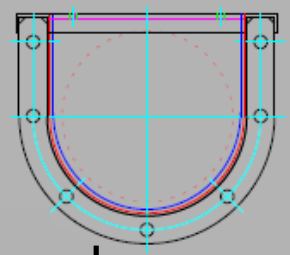
U-trough
with wear plate



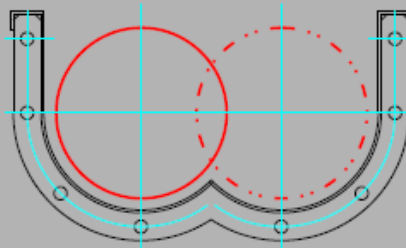
U-trough
out of one plate



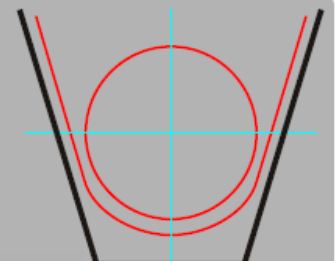
U-trough
double-walled

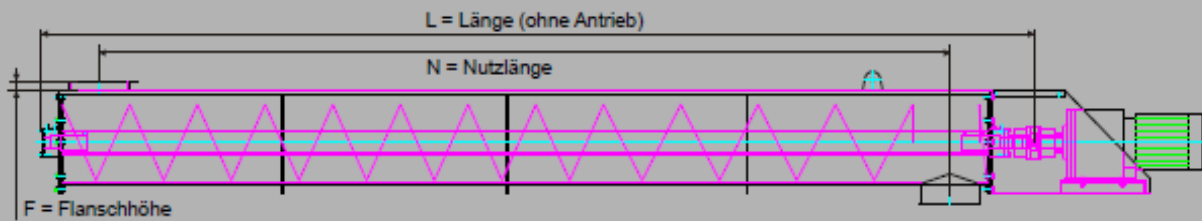


double
mixing
screw

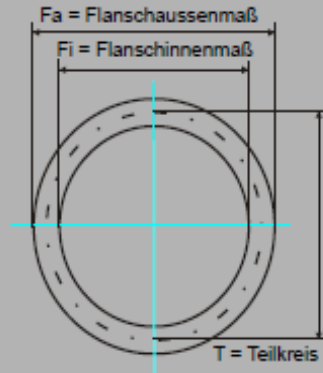
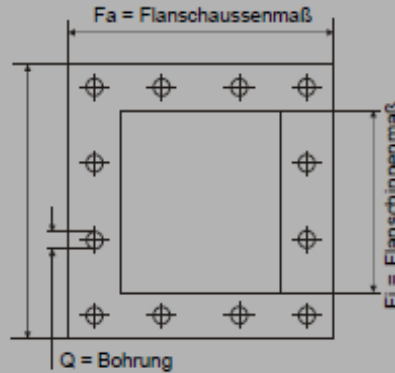
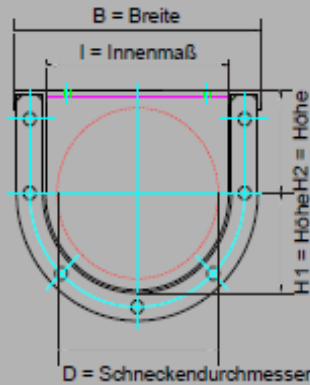


V-trough
single-walled





Flanschanschlüsse für Ein- und Auslauf eckig oder rund auf Kundenwunsch



screw Ø	length	usable length	flange height	width	Inside dimension	height	height	pitch circle	bore	flange size	flange size
D	L	N	F	B	I	H1	H2	T	Q	Fa(outside)	Fa (inside)
200	*	*	60*	300	220**	110	150**	*	12*	*	*
250	*	*	60*	350	270**	260	300**	*	12*	*	*
300	*	*	60*	400	320**	310	350**	*	12*	*	*
350	*	*	60*	450	370**	360	400**	*	12*	*	*
400	*	*	80*	500	420**	410	450**	*	14*	*	*
500	*	*	80*	600	520**	510	550**	*	14*	*	*
600	*	*	80*	700	620**	610	650**	*	14*	*	*
700	*	*	80*	800	720**	710	750**	*	14*	*	*
800	*	*	80*	900	820**	810	850**	*	14*	*	*
1000	*	*	80*	1100	1020**	1010	1050**	*	14*	*	*

*= dimensions vary from local conditions

**= dimensions vary depending on the product

Chart applies for normal trough screws. V-troughs were dimensioned by agreement.

Out of the preceding examples you can see how multifarious you can apply screw conveyors.

For the product feed as well as after the product discharge we design the essential plant components including the electrical control system.

We deliver **complete conveyors** for mechanical and pneumatic transport incl. metering and weighing and electrical control gears.

Subject to technical modification