

Anlagenbau
Fördern - Dosieren - Verwiegen - Mischen - Austragen
Elektrotechnik - EMSR-Technik - Planung - Durchführung
Montage - Inbetriebnahme - Service

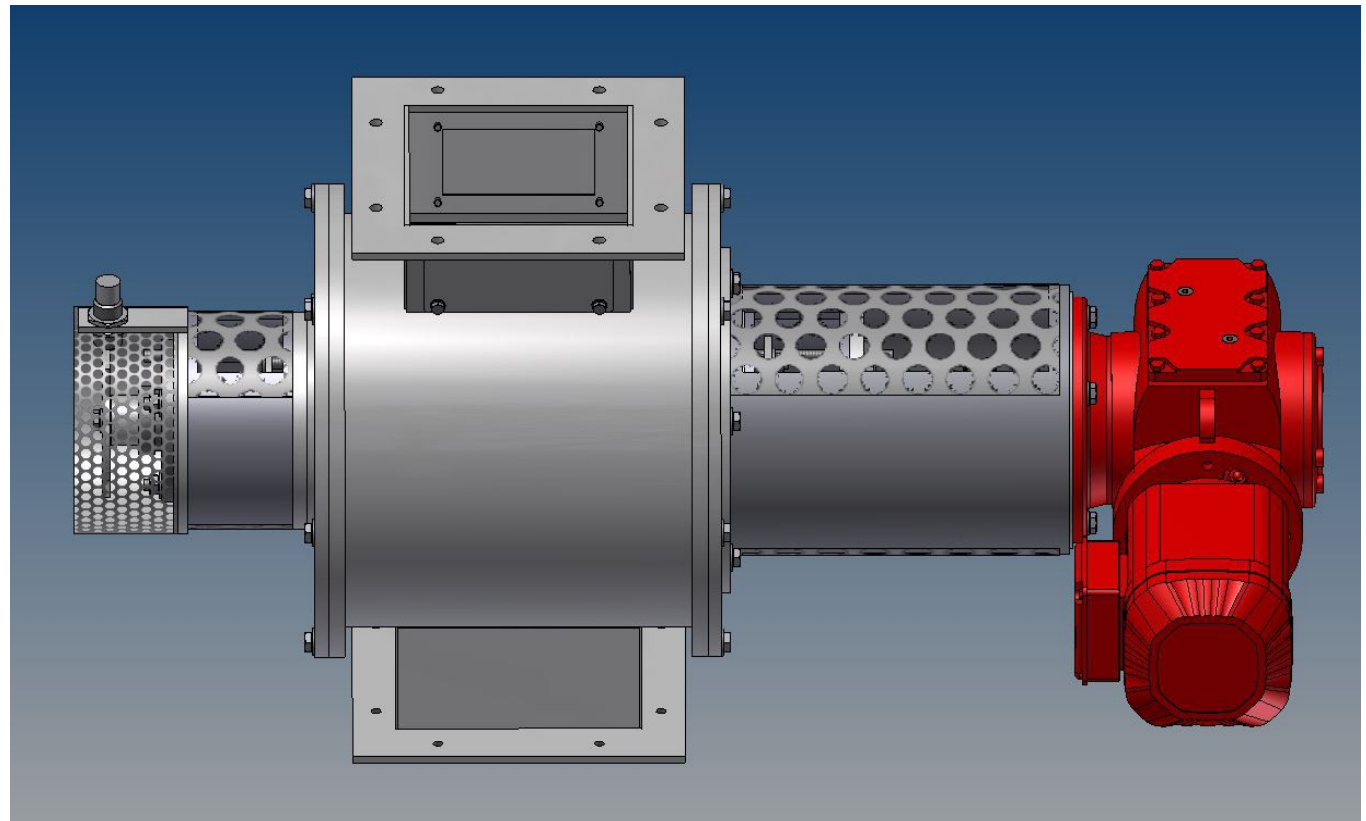
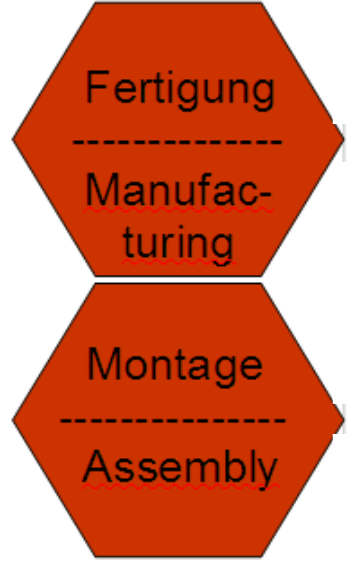
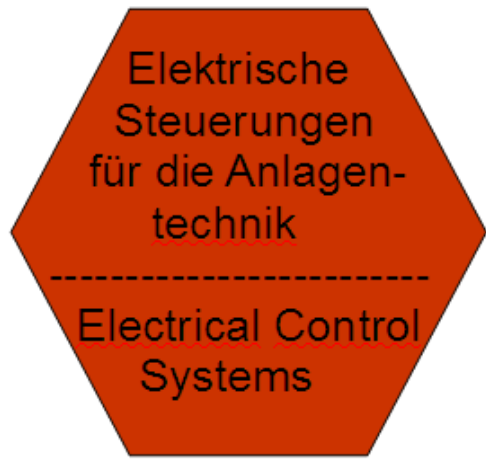
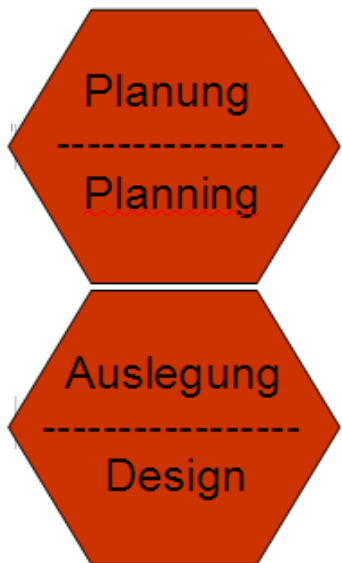
Plant Engineering
Conveying - Dosing - Weighing - Mixing - Discharging
Electrical Engineering - PLC Systems - Planning
Realisation - Assembly - Startup - Service

8.7.1A

Tel.Nr.: +49 37383 / 694-0

Fax: +49 37383 / 694-66

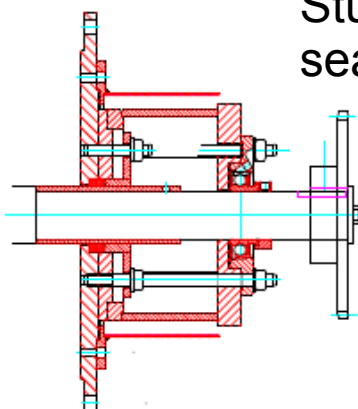
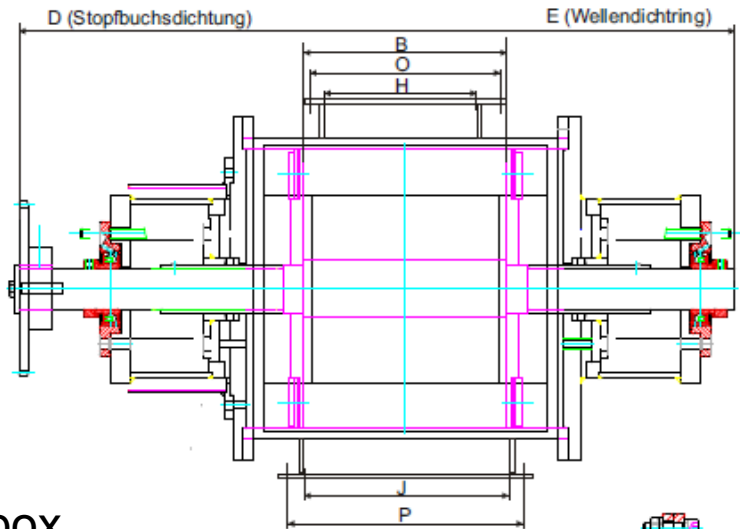
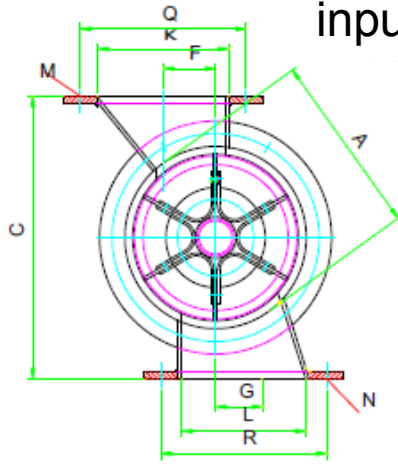
email: info@goema.net



ROTARY VALVES

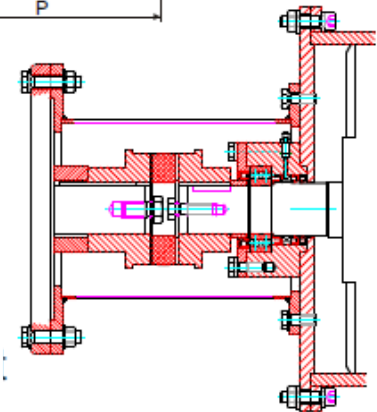
Rotary valves in symmetrical and asymmetrical design

Rotary valve, asymmetrical with lateral
input and discharge



Stuffing box
sealing

shaft seal
with purge
air



type	Flow rate ca. l/u	Driving power kW	A	B	C	D	E	F	G	H	J	K	L	M	N	O	P	Q	R
			mm																
1	2	0,75	150	200	300	646	588	112	25	182	192	100	100	6x14	6x14	260	260	170	170
	3			300	300	746	688	112	25	282	292	100	100	8x14	8x14	360	360	170	170
2	4		200	200	350	646	588	144	37,5	182	192	125	125	6x14	6x14	260	260	190	190
	6			300	350	746	688	144	37,5	282	292	125	125	8x14	8x14	360	360	190	190
	8			400	350	846	788	144	37,5	382	392	125	125	8x14	8x14	460	460	190	190
3	8		1,1	250	250	400	696	638	170	50	282	242	150	150	6x17	6x17	310	310	220
	12	400			400	846	788	170	50	382	392	150	150	8x17	8x17	460	460	220	220
	16	500			400	946	888	170	50	482	492	150	150	10x17	10x17	560	560	220	220
4	18	1,5	315	350	500	796	738	228	62,5	382	342	175	175	8x17	8x17	410	410	240	240
	20			400	500	846	788	228	62,5	382	392	175	175	8x17	8x17	460	460	240	240
	27			500	500	946	888	228	62,5	482	492	175	175	10x17	10x17	560	560	240	240
	34			600	500	1046	988	228	62,5	582	592	175	175	12x17	12x17	660	660	240	240
5	26		360	400	600	846	788	273	75	382	392	200	200	8x17	8x17	460	460	270	270
	30			450	600	896	838	273	75	432	442	200	200	10x17	10x17	510	510	270	270
6	34	2	460	500	600	946	888	273	75	482	492	200	200	12x17	12x17	560	560	270	270
	45			400	700	846	788	325	100	382	392	250	250	8x17	8x17	460	460	320	320
	51			450	700	896	838	325	100	432	442	250	250	10x17	10x17	510	510	320	320
	57			500	700	946	888	325	100	482	492	250	250	12x17	12x17	560	560	320	320

Subject to technical modifications.

The locks are manufactured in welded steel construction.

The airlock rotors are manufactured closed design.

Depending on the type of product rotors with adjustable sealing strips or as a rigid design.

Type of construction: steel, stainless steel

Temperatures up to 600°C with gland sealing

Temperatures up to 100°C with shaft seal

Flange connections and airlock sizes are made to order.

Max. Airlock diameter up to 1000mm